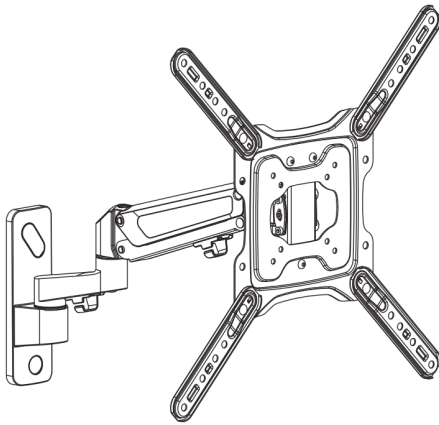




Premium Aluminum TV Wall Mount

Instruction Manual



SKU: MOUNT-G400B



Scan the QR code with your mobile device or follow the link for helpful videos and specifications related to this product.

<https://vivo-us.com/products/mount-g400b>

GET IN TOUCH | Monday-Friday from 7:00am-7:00pm CST



help@vivo-us.com



www.vivo-us.com
Chat live with an agent!

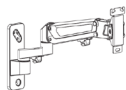


309-278-5303

⚠️ WARNING!

If you do not understand these directions, or if you have any doubts about the safety of the installation, please call a qualified technician. Check carefully to make sure there are no missing or defective parts. Improper installation may cause damage or serious injury. Do not use this product for any purpose that is not explicitly specified in this manual. Do not exceed weight capacity. We cannot be liable for damage or injury caused by improper mounting, incorrect assembly or inappropriate use.

PACKAGE CONTENTS



A (x1)
Arm



B (x1)
VESA Plate



C (x4)
VESA
Extension



D (x1)
Screw Cover



E (x1)
Screw Cover



F (x4)
Nut



G (x4)
Carriage Bolt



H (x1)
Wrench



I (x1)
4mm Allen Wrench



J (x1)
6mm Allen
Wrench



M-A (x4)
M5x14



M-B (x4)
M6x14



M-C (x4)
M6x30



M-D (x4)
M8x30



M-E (x4)
M8x50



M-F (x4)
D5 Washer



M-G (x4)
D8 Washer



M-H (x8)
Small Spacer



M-I (x8)
Large Spacer



W-A (x3)
Bolt



W-B (x3)
Anchor



W-C (x3)
Washer

NOTE: NOT ALL HARDWARE INCLUDED WILL BE USED

⚠️ CAUTION!

DO NOT INSTALL INTO DRYWALL ALONE. VERIFY YOUR WALL CONSTRUCTION. USE WOOD STUDS TO MOUNT. We include mounting for brick and concrete walls. If unsure, please contact us at vivo-us.com, email at help@vivo-us.com, or call us at 309-278-5303.

TOOLS NEEDED



Phillips
Screwdriver



Drill

DO NOT EXCEED WEIGHT CAPACITY.
Failure to do so may result in serious injury.



⚠️ WARNING: CHOKING HAZARD

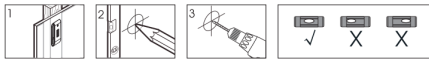
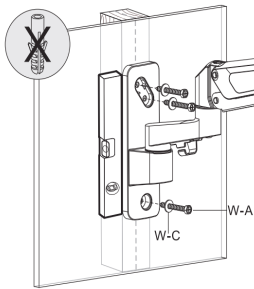
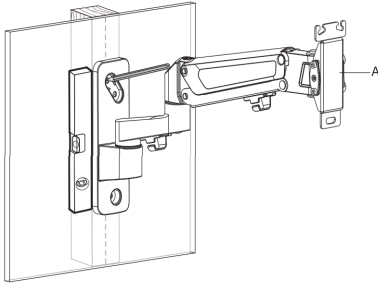
SMALL PARTS - NOT FOR CHILDREN UNDER 3 YEARS. ADULT SUPERVISION IS REQUIRED.

ASSEMBLY STEPS

STEP 1

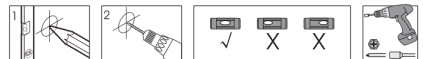
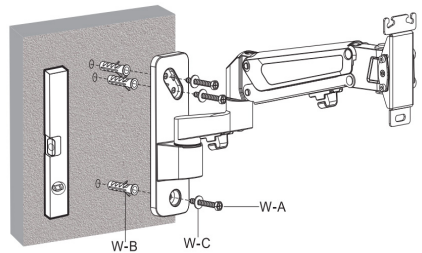
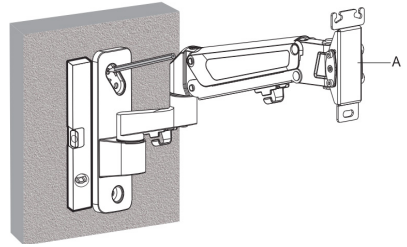
OPTION A: Wood Wall

Using the wall plate on the arm (A), mark drilling locations. Use of a stud finder is highly recommended. Drill 2.2" (55mm) deep holes using a 3/16" (4.5mm) drill bit, and mount the arm to the wall using screws (W-A) and washers (W-C).



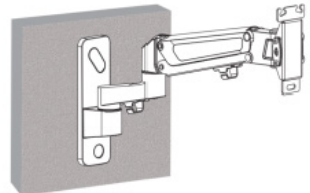
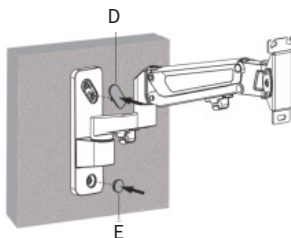
OPTION B: Concrete Wall

Using the wall plate on the arm (A), mark drilling locations. Drill 2.4" (60mm) deep holes using a 3/8" (10mm) drill bit, press anchors (W-B) into holes, and mount the arm to the wall using screws (W-A) and washers (W-C). **NOTE:** Anchors are made for use with concrete or brick, and will not work with drywall.



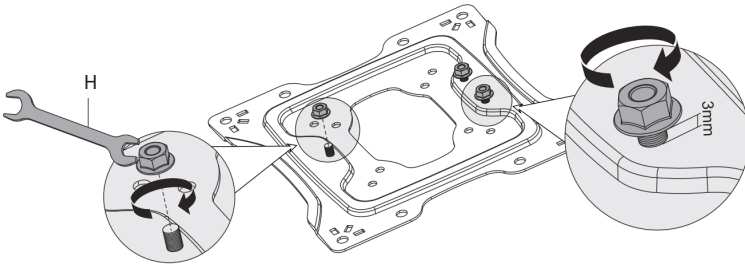
STEP 2

Attach screw covers (D, E) to wall plate.



STEP 3

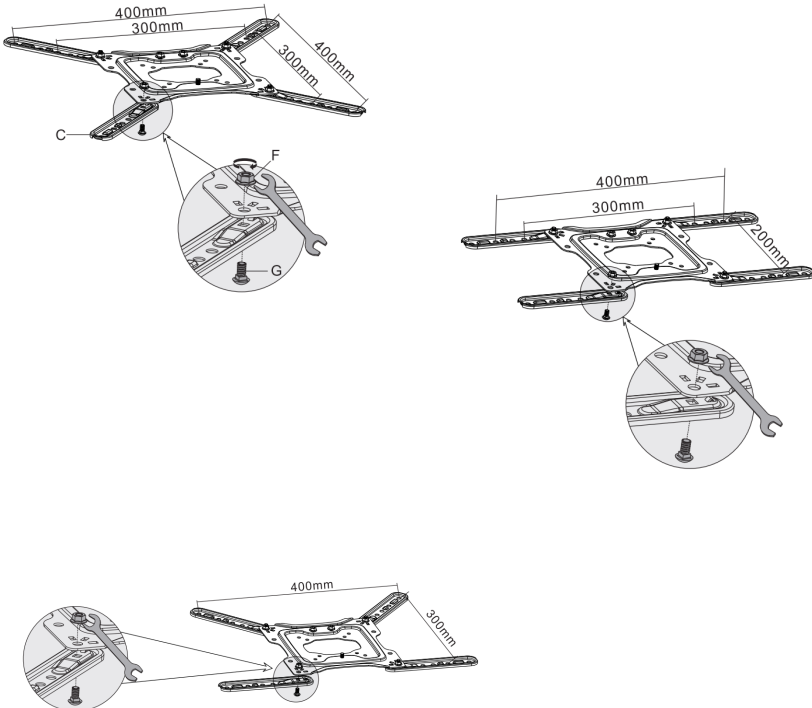
Remove lower nut from VESA plate **(B)** using the wrench **(H)**, and loosen the upper two nuts until 3mm of screw thread is exposed for each one.



STEP 4

Mount VESA extensions **(C)** to VESA plate **(B)** in one of the patterns shown using carriage bolts **(G)** and nuts **(F)**, and tighten with the wrench.

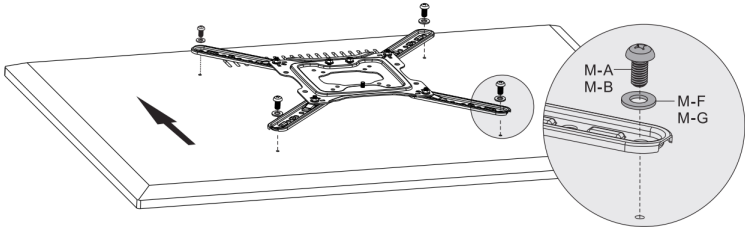
(NOTE: For VESA patterns 200x200mm and smaller, skip this step.)



STEP 5

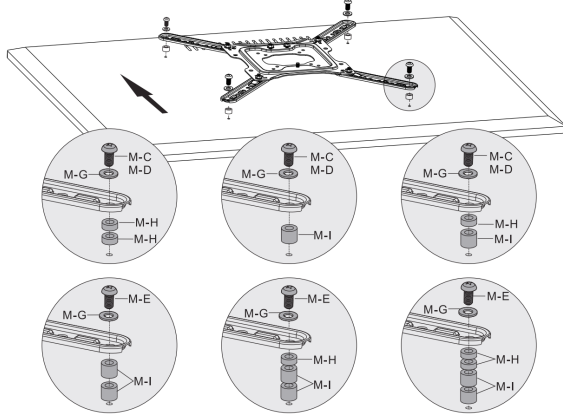
OPTION A: Flat Back Monitor

Mount VESA plate (B) to TV using bolts (M-A or M-B) with washers (M-F or M-G), making sure the two nuts are facing towards the top of the TV.



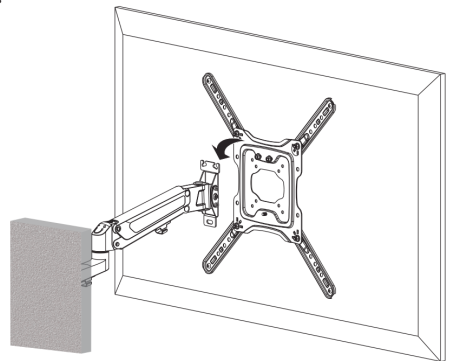
OPTION B: Curved Back Monitor

Mount VESA plate (B) to TV using bolts (M-C, M-D, M-E) with washers (M-G) and spacers (M-H, M-I) in one of the configurations shown, making sure the two nuts are facing towards the top of the TV.



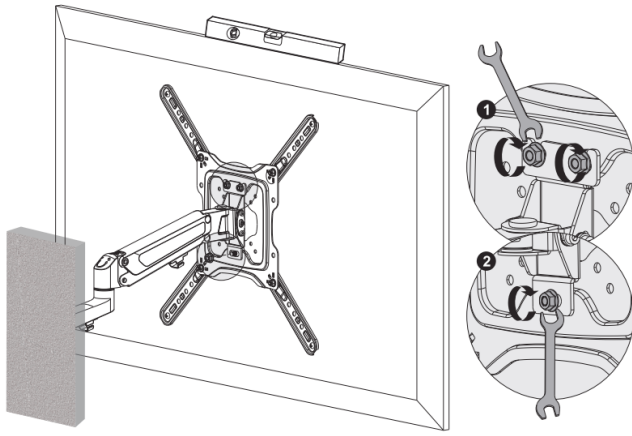
STEP 6

Hang TV with VESA plate onto head of arm (A).



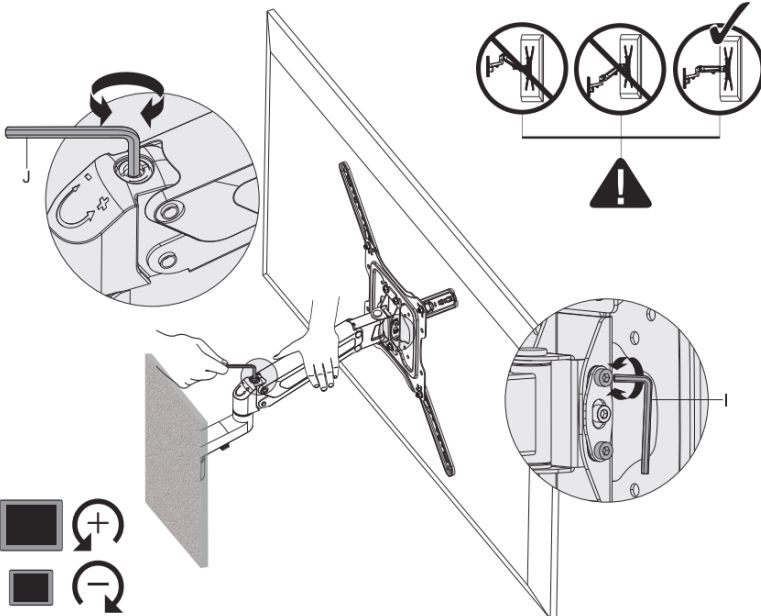
STEP 7

Reinstall lower nut to secure the plate, and tighten all nuts using the wrench.



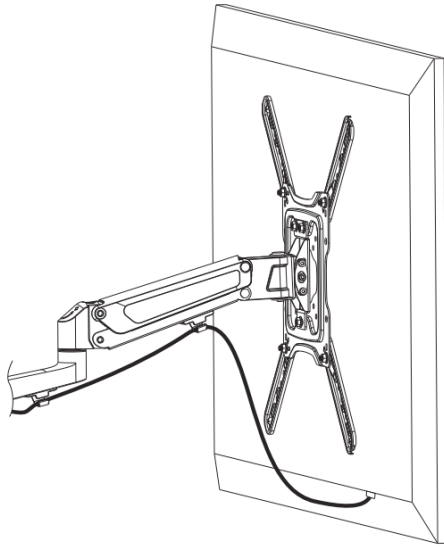
STEP 8

Adjust gas spring tension using the 6mm Allen wrench (J). Turn counter-clockwise to increase lift, and clockwise to decrease. Adjust the tilt joint support using the 4mm Allen wrench (I). **NOTE:** use a large flat-blade screwdriver to tighten the socket set screw if the joint makes a popping noise.

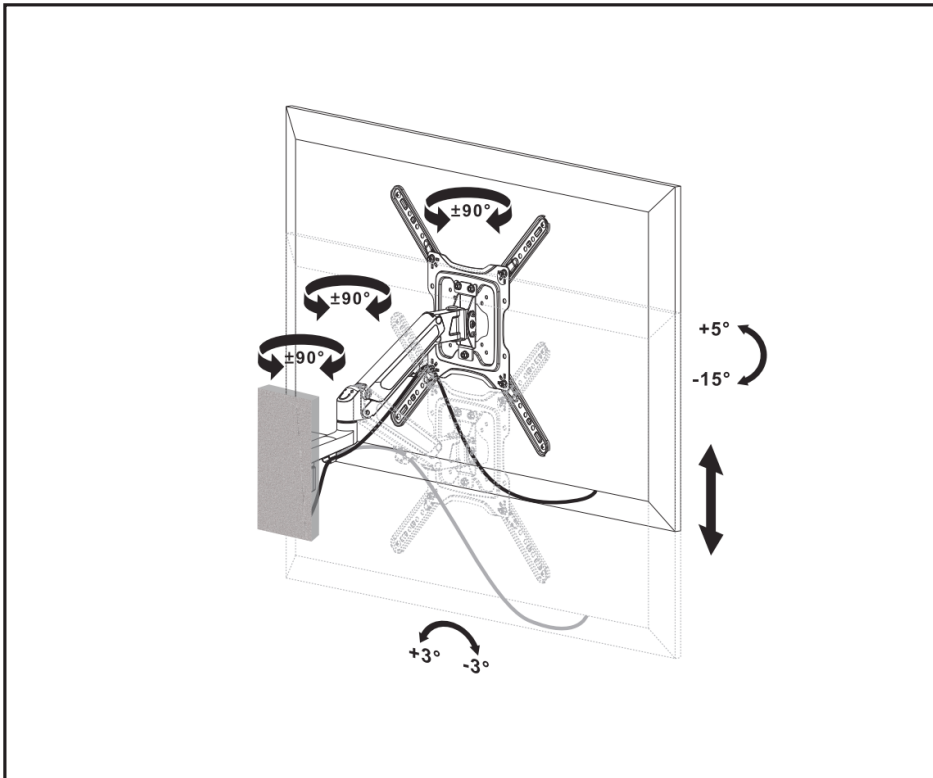


STEP 9

Use built in cable clips to manage cables.



Adjust as Desired





Open **Monday - Friday 7:00am - 7:00pm** CST,
our dedicated support team can offer immediate assistance with rapid response times. If any parts are received damaged or defective, please contact us. We are happy to replace parts to ensure you have a fully functioning product.


 help@vivo-us.com

AVG. RESPONSE TIME (*within office hrs*): **1HR 8M**

- 23% within < 15m
- 38% within < 30m
- 61% within < 1hr
- 83% within < 2hr
- 92% within < 3hr

 www.vivo-us.com
Chat live with an agent!

AVG. RESOLUTION TIME (*within office hrs*): **< 15 M**

 309-278-5303

AVG. RESOLUTION TIME (*within office hrs*): **5M 4S**